

RSG

SECURITY

Making Britain Safer

RSG Security

Ferrari House

258 Field End Road

Ruislip

Middlesex

HA4 9UU

Phone: 02081231058 | 02081231088

Email: sales@rsg-security.co.uk

Web: www.rsgsecurity.co.uk

RSG5700 Fire Shutters

1HR | 2 HR | 4HR FIRE PROTECTION







Product overview

Product Code: RSG5700 (available as FR60, FR120 and FR240)

Our RSG5700 fire shutter is an upstanding steel rolling shutter, comprising of a box, guide rails and scrolled or flat laths. The steel shutter is galvanised as standard and as an extra, can be all powder coated to a specified RAL number to suit your project requirement.

Assessed to British Standard BS EN 476-22:1987 and tested & approved by Exova Warringtonfire under BS EN 1634-1:2008 European Standard, this flame resisting product has been designed to contain fire within certain area of a building from 60 minutes to 4 hours.

The RSG5700 roller shutter is electrically operated, predominantly linked to a fire alarm system or heat & smoke detectors in certain circumstances, where in the event of a fire or emergency, the fire shutter will close automatically to create a fire resisting barrier when the fire alarm signal is received. As standard, a battery backup is installed to ensure power is always up in the event of a power failure.

In addition to fire protection, the RSG5700 is a robust steel shutter, built to a high standard for security and performance providing a good level of protection to your building. It is essential for businesses in the UK to implement effective fire products for both the health and safety of their employees as well as to ensure they meet with building regulations. Every year, businesses up and down the country are forced to close down because they neglect to implement measures that can reduce the spread of fire, resulting in the refusal of their insurance claims. With this in mind, manufactured in our factory in South London, our RSG5700 fire rated roller shutters are the perfect 'fire resistant barrier' solution and here at RSG Security, we provide a complete design, manufacture and installation service in London and surrounding counties.

- Providing a fire-resistant barrier solution.
- Adding a robust security feature as standard.
- Tested, certified and complies with regulations.
- Offering fire protection levels from 60 minutes to 4 hours.
- Hidden when not in use and auto operate in the event of a fire or emergency
- Various options available - smoke/heat detectors, warning devices, radio controls, etc.

For further information about our range of RSG5600 Fire Shutters, please call The RSG Security Team on 02081231088 or email us at sales@rsg-security.co.uk

<https://www.rsgsecurity.co.uk>

Features and Specification

Common Uses

Our RSG5700 range of fire shutters is suitable for areas where fire protection and flame containment is a must, such as kitchen & servery areas, canteens & restaurants, loading bay areas, factories & warehouses and in some instances, depending on the nature of the business - offices, commercial or retail applications where fire containment is required yet constant access is needed.

Approved Standards

Tested & approved by Exova Warringtonfire
British Standard BS 476: Part 22: 1987
European Standard BS EN 1634-1:2008

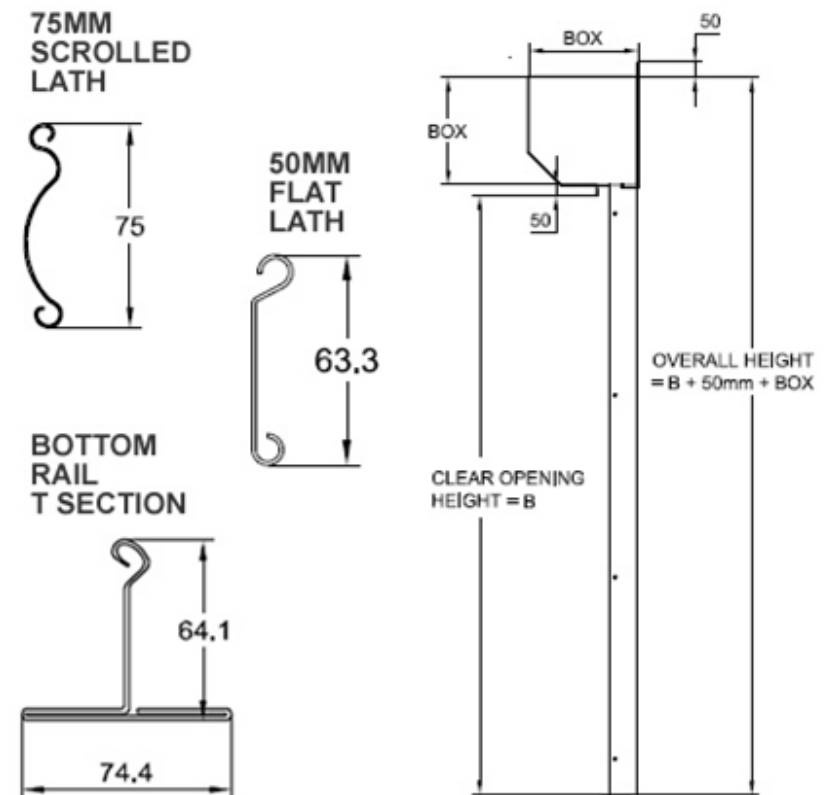
Fire Ratings Performance

Available as FR60 (1 hour rated), FR120 (2 hour rated) and FR240 (4 hour rated).

Size Limitations

Min Width/Height: 800mm
Max Width: 7000mm
Max Height: 4600mm

Please note maximum sizes can vary to integrity rating and bigger shutters require a barrel support bracket.



Fitting

Available for both reveal and/or face installations.

Box

Welded to the top end of the guides, the steel galvanised endplates are set in a flag arrangement with a two-piece box assembly with chamfer, encasing the round steel barrel. Boxes come in 250mm, 300mm and 350mm sizes depending upon shutter height, details are usually provided at time of estimates.

Curtain

Single skin galvanised steel lath (powder coating available).

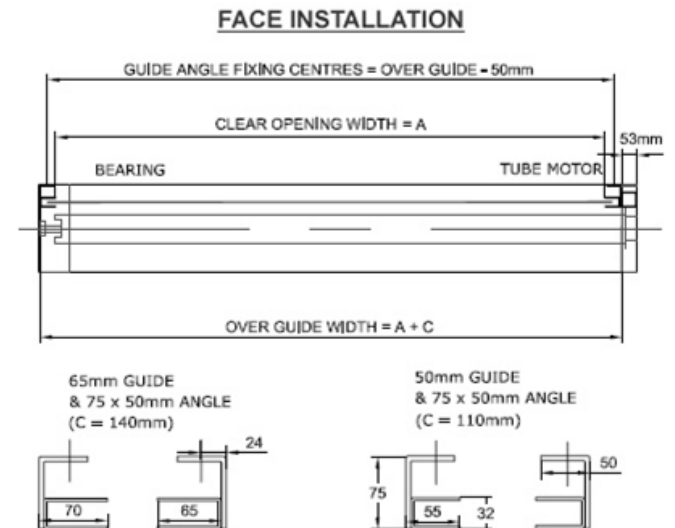
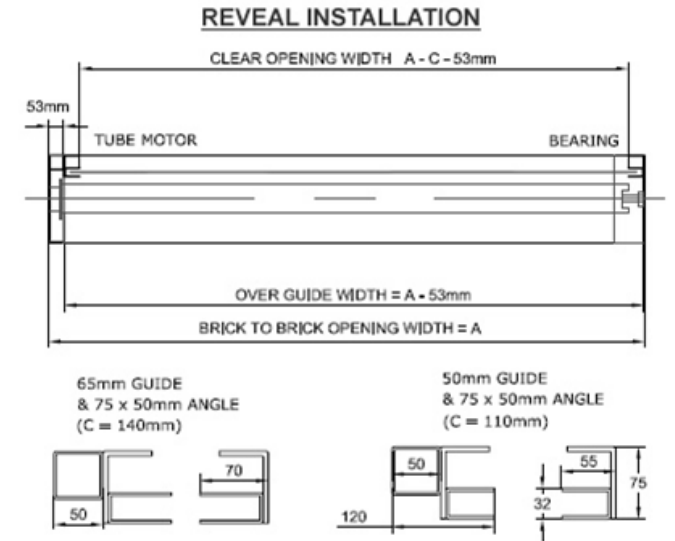
Available as 75mm scrolled or 50mm flat laths.

Weight: 10-16.5kg per square metre (dependent on lath option & shutter size).

The bottom rail is a 'T' sectioned steel lath, measuring 74mm deep x 49mm high.

Guide Rails

3mm thick galvanised steel channels 50mm or 65mm deep, c/w fixing angles.



Motor

Powered using 240 V AC single phase tubular motor.

Control Options

For requirement linking solely to a fire alarm, we provide a standard interface relay and in circumstances where more is needed, an FS control panel is installed to which a range of options are available, including smoke/heat detectors, warning devices, radio controls and more. A battery backup is always provided as standard. For more information, please view our control options tab above.

Finish

Galvanised as standard. Powder coating available to any RAL or BS colours at an additional cost, please contact our Sales for quote.

For further information about our range of RSG5600 Fire Shutters, please call The RSG Security Team on 02081231088 or email us at sales@rsg-security.co.uk

<https://www.rsgsecurity.co.uk>

Control Options

- **Interface Relay & Switch**



The basic requirement of fire shutters is in the event of a fire or emergency, the fire alarm would send a signal to close down the shutter and this is what the interface relay does. A key switch is usually fitted to enhance control and when the switch is being used, the fire signal would be ignored.

- **FS Control Panel**

The FS Control Panel comes with a built-in audio and visual technology. The panel offers more than the basic fire alarm connection, it allows adjustable closing modes, indicates warning lights of operation, linking of up to 16 fire panels, emergency stop button connections and a range of optional extras.



- **Optional Extras**



From photocell, alarm, stop button, smoke & heat detectors, visual & warning talking devices to radio controls and automatic door release system, we have a range of optional extras on offer to suit the specifics of your project; be it residential, retail or an office, at a school, hospital, or industrial plant.

- **Battery Backup Unit (as standard)**

As standard, a battery backup is installed on the RSG5700 fire shutter range to ensure power is always up in the event of a power failure. Please speak to a member of our Sales Team on 02081231088



For further information about our range of RSG5600 Fire Shutters, please call The RSG Security Team on 02081231088 or email us at sales@rsg-security.co.uk

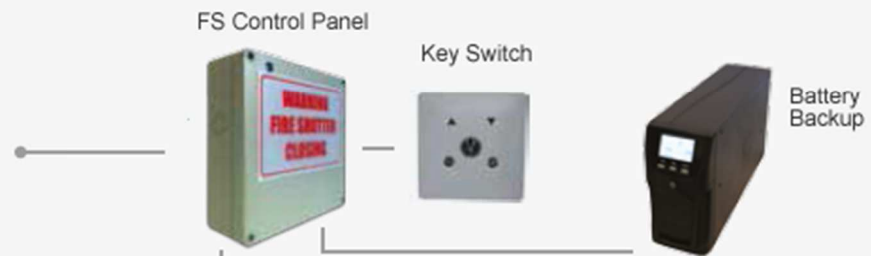
<https://www.rsgsecurity.co.uk>



INTERFACE RELAY & SWITCH



FS CONTROL PANEL



OPTIONAL EXTRAS



Powder coating

As standard, RSG5700 fire shutters are in a galvanised finish.

Powder coating is available as an optional surcharge and the below lists our standard colours available, please note colours are just a guide and may not be exact reproduction due to different screens resolution.

Should you require a specific colour, please provide us the 'RAL Number'. If we have this colour in stock, we shall include at no extra cost however if not available, an extra charge will apply and we shall advise accordingly. Please click to [Make An Enquiry Now!](#)

					
Beige RAL 1001	Oyster White RAL 1013	Light Ivory RAL 1015	Grey Beige RAL 1019	Gentian Blue RAL 5010	Light Blue RAL 5012
					
Moss Green RAL 6005	Silver Grey RAL 7001	Basalt Grey RAL 7012	Anthracite Grey RAL 7016	Black Grey RAL 7021	Umbra Grey RAL 7022
					
Graphite Grey RAL 7024	Blue Grey RAL 7031	Pebble Grey RAL 7032	Light Grey RAL 7035	Agate Grey RAL 7038	Brown RAL 8014
					
Chestnut Brown RAL 8015	Chocolate Brown RAL 8017	Grey Brown RAL 8019	Grey White RAL 9002	Jet Black RAL 9005	Pure White RAL 9010
					
Graphite Black RAL 9011	Traffic White RAL 9016	Traffic Black RAL 9017			

Important

Under the Fire Safety Regulatory Reform Order 2005 For Companies, maintenance of fire shutters are required and failure to do so may invalidate insurance cover and the building fire certification under the control of the local fire officer.

The structural surround to the opening must have a fire rating of at least the equivalent to the RSG5700 fire shutter specified and is sufficient for fixings to ensure a fully compliant product and installation.

Please note we are continuously improving our product range and product specification may change, hence it is advisable to contact our Sales Team on 02081231088 or email us at sales@rsg-security.co.uk

For more information on our full product range, please visit <https://www.rsgsecurity.co.uk/product-range.php>

*For further information about our range of RSG5600 Fire Shutters,
please call The RSG Security Team on 02081231088 or email us at sales@rsg-security.co.uk*

<https://www.rsgsecurity.co.uk>